

PATRIOT® PATCUT245-LI

18 Volt Lithium-Ion Battery Actuated Cutter

Hydraulic Self-Contained Cutting Tool

The BURNDY® PATRIOT® PATCUT245-LI Lithium-Ion tool incorporates the latest engineering technology with a refined hydraulic system for ultra performance, speed and reliability. The redesigned field proven electronics provide the ultimate reliability in the harshest work environments. All BURNDY® battery actuated hydraulic tools provide a consistent cut every time.

The PATCUT245-LI battery powered cutting tool is compact, fast, easy to use and incorporates the latest in battery tool technology. The ergonomic design allows one hand operation so that the other is free to manipulate the conductor in the proper cutting position. The PATCUT245-LI incorporates a specialized latch style cutting head that allows interference-free closure for mid-span cuts. The cutter head rotates 180 degrees to allow users to get into tight areas easier. The PATCUT245-LI is capable of cutting up to 2.45" diameter copper and aluminum cable.

The PATCUT245-LI is supplied with a durable high impact formed carrying case to hold the tool, battery charger, two 18 volt Lithium-Ion batteries and tool retention lanyard. The PATCUT245-LI is provided with a 5-year limited warranty (excluding blades), and 1-year on batteries and charger. All PATRIOT® tools feature the BURNDY® INFINITY DRIVE® transmission which has a lifetime warranty.



Features and Benefits

- Refined hydraulic system for ultra performance, speed and reliability
- Field proven electronics for ultimate reliability in the harshest environments
- Overmolded handle for comfort and improved grip; allows for one-handed operation for advance, retract, and hold
- Specialized latch head design for interference free closure for mid-span cuts
- 18-volt Lithium-Ion batteries provide 2.5 times more charge/discharge cycles than traditional Ni-Cd batteries and provide 430% more lifetime work
- 30 minute charger controls current, voltage and temperature to maximize battery life
- Forced air cooling fan cools the battery by forcing cool air through the battery's built-in air vents
- 180° head rotation allows user to get into tight areas easier
- Ergonomically balanced tool design eases operation and lessens fatigue
- Durable high impact formed carrying case provides superior protection and stores all accessories
- 5-year limited warranty on tool (excluding blades)
- Lifetime warranty on INFINITY DRIVE®
- 1-year warranty on batteries and charger

SPECIFICATIONS

- Tool Weight:** 13.7 lbs (6.2 kg)
 With Battery
Length: 18.1" (45.9 cm)
Width: 3.5" (8.9 cm)
Height: 13.5" (34.3 cm)
Operating Voltage: 18 V-DC
Recharge Time: 30 minutes

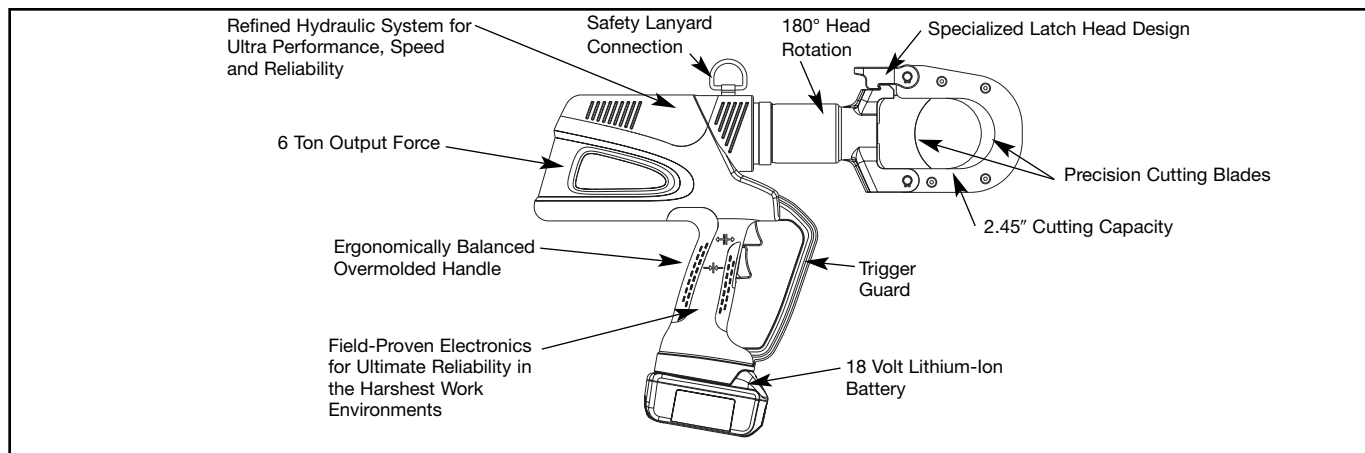
FOR USE ON

Copper & Aluminum Cable: Up to 2.45" O.D.

For Copper and Aluminum cable only. Do not cut steel, ground rods, rebar, or guy wire.

ACCESSORIES

- Battery:** Cat# **BAT18VLI**
 (3.0 AH) Hi-capacity
- Chargers:**
 120V-AC Cat# **PATCHGR-LI**
 12/24V-DC Cat# **PATCHGR-LIDC**
 1240/250V-AC Cat# **PATCHGR-LI250V**
- Replacement Blades:**
 Cat# **PT10038657**
 (Moving Blade)
 Cat# **PT10040663**
 (Fixed Blade)
- Lanyard:** Cat# **PT208620**



For more information, contact Locators & Supplies, Inc.
 1-800-950-6666 www.locatorsandsupplies.com